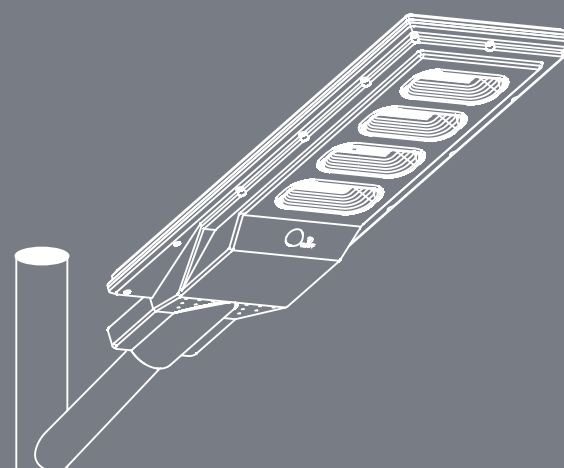




AKZACTIMPORTS



2019 Solar LED Light

SOLAR LED STREET LIGHT



2W

Item No. 0100A02-01
LED Lamp 2W LED 6000K-6500K
Lamp size 155*95*60mm
Solar Panel 6V 1.5W, Polycrystalline
Battery Type Lithium-Ion 3.7V 2AH
Charging time 6-8 hours
Discharging time 20-24 hours
LED 160 lm/w
Material PC
Install Height 2-4m
Warranty 3 years



5W

Item No. 0100D05-01
LED Lamp 5W LED 6000K-6500K
Lamp size 285*168*105mm
Solar Panel 5.4V 6.8W, Polycrystalline
Battery Type Lithium-Ion 3.7V 8AH
Charging time 6-8 hours
Discharging time 20-24 hours
LED 160 lm/w
Material PC
Install Height 3-5m
Warranty 3 years



3W

Item No. 0100B03-01
LED Lamp 3W LED 6000K-6500K
Lamp size 210*110*70mm
Solar Panel 5.88V 3W, Polycrystalline
Battery Type Lithium-Ion 3.7V 2.5AH
Charging time 6-8 hours
Discharging time 20-24 hours
LED 160 lm/w
Material PC
Install Height 2-4m
Warranty 3 years



4W

Item No. 0100C04-01
LED Lamp 4W LED 6000K-6500K
Lamp size 260*140*72mm
Solar Panel 5.88V 3.5W, Polycrystalline
Battery Type Lithium-Ion 3.7V 6AH
Charging time 6-8 hours
Discharging time 20-24 hours
LED 160 lm/w
Material PC
Install Height 3-5m
Warranty 3 years



SOLAR LED STREET LIGHT

0845 Series



30W



60W



90W



120W



150W



150W

Item No.	0845E150-01
LED Lamp	5730 LED 300PCS 6000K-6500K
Solar Panel	6V 22W, Polycrystalline
Battery Type	LiFePO4 3.2V 36AH
Charging time	6-8 hours
Discharging time	8-12 hours
LED	160 lm/w
Material	ABS
Install Height	5-8m
Dimensions	838*250*65mm
Warranty	1 year





30W

Item No. 0845A30-01
LED Lamp 5730 LED 60PCS 6000K-6500K
Solar Panel 6V 7W, Polycrystalline
Battery Type LiFePO4 3.2V 12AH
Charging time 6-8 hours
Discharging time 8-12 hours
LED 160 lm/w
Material ABS
Dimensions 400*230*65 mm
Install Height 3-5m
Warranty 1 year



60W

Item No. 0845B60-01
LED Lamp 5730 LED 120PCS 6000K-6500K
Solar Panel 6V 9W, Polycrystalline
Battery Type LiFePO4 3.2V 18AH
Charging time 6-8 hours
Discharging time 8-12 hours
LED 160 lm/w
Material ABS
Dimensions 530*240*65 mm
Install Height 4-6m
Warranty 1 year



90W

Item No. 0845C90-01
LED Lamp 5730 LED 180PCS 6000K-6500K
Solar Panel 6V 12W, Polycrystalline
Battery Type LiFePO4 3.2V 24AH
Charging time 6-8 hours
Discharging time 8-12 hours
LED 160 lm/w
Material ABS
Dimensions 645*250*65 mm
Install Height 5-8m
Warranty 1 year

120W

Item No. 0845D120-01
LED Lamp 5730 LED 240PCS 6000K-6500K
Solar Panel 6V 18W, Polycrystalline
Battery Type LiFePO4 3.2V 30AH
Charging time 6-8 hours
Discharging time 8-12 hours
LED 160 lm/w
Material ABS
Dimensions 750*250*65 mm
Install Height 5-8m
Warranty 1 year





40W

Item No.	0310B40-03
LED Lamp	5730 LED 200PCS 6000K-6500K
Solar Panel	16V 29W, Mono-Crystalline
Battery Type	LiFePO4 12.8V 18AH
Charging time	6-8 hours
Discharging time	30-36 hours
LED	160 lm/w
Material	Die-Casting Aluminium
Install Height	4-7m
Warranty	3 years
Dimensions	740*340*82 mm



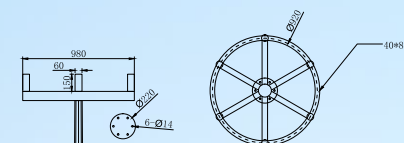
60W

Item No.	0310C60-03
LED Lamp	5730 LED 200PCS 6000K-6500K
Solar Panel	16V 36W, Mono-Crystalline
Battery Type	LiFePO4 12.8V 24AH
Charging time	6-8 hours
Discharging time	30-36 hours
LED	160 lm/w
Material	Die-Casting Aluminium
Install Height	5-8m
Warranty	3 years
Dimensions	860*340*82 mm



100W

Item No.	0310D100-03
LED Lamp	5730 LED 400PCS 6000K-6500K
Solar Panel	16V 48W, Mono-Crystalline
Battery Type	LiFePO4 12.8V 42AH
Charging time	6-8 hours
Discharging time	30-36 hours
LED	160 lm/w
Material	Die-Casting Aluminium
Install Height	6-9m
Warranty	3 years
Dimensions	980*360*125 mm



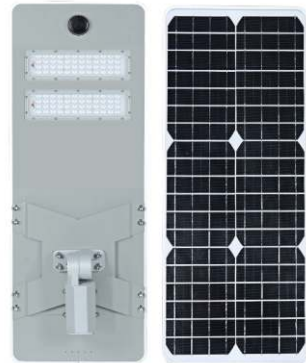
The Main Pole
 Material: High quality steel plate
 Upper caliber: $\phi 75\text{mm}$
 Lower caliber: $\phi 160\text{mm}$
 Height: 6m

50W



Item No.	0911A50-01
LED Lamp	3030 LED 48PCS 6000K-6500K
Solar Panel	18V 36W, Mono-Crystalline
Battery Type	LiFePO4 12.8V 18AH
Charging time	6-8 hours
Discharging time	30-36 hours
LED	160 lm/w
Material	Aluminium Alloy
Install Height	3-5m
Dimensions	532*343*150mm
Warranty	3 years

100W



Item No.	0911B100-01
LED Lamp	3030 LED 96PCS 6000K-6500K
Solar Panel	18V 45W, Mono-Crystalline
Battery Type	LiFePO4 12.8V 30AH
Charging time	6-8 hours
Discharging time	30-36 hours
LED	160 lm/w
Material	Aluminium Alloy
Install Height	5-7m
Dimensions	642*343*150mm
Warranty	3 years

150W



Item No.	0911C150-01
LED Lamp	3030 LED 144PCS 6000K-6500K
Solar Panel	18V 65W, Mono-Crystalline
Battery Type	LiFePO4 12.8V 42AH
Charging time	6-8 hours
Discharging time	30-36 hours
LED	160 lm/w
Material	Aluminium Alloy
Install Height	7-9m
Dimensions	1004*343*150mm
Warranty	3 years

200W



Item No.	0911D200-01
LED Lamp	3030 LED 192PCS 6000K-6500K
Solar Panel	18V 88W, Mono-Crystalline
Battery Type	LiFePO4 12.8V 54AH
Charging time	6-8 hours
Discharging time	30-36 hours
LED	160 lm/w
Material	Aluminium Alloy
Install Height	9-12m
Dimensions	1192*343*150mm
Warranty	3 years





30W

Item No. 0830A30-02
LED Lamp Osram 3030 LED 30PCS 6000K-6500K
Solar Panel 18V 30W, Polycrystalline
Battery Type LiFePO4 12.8V 30AH
Charging time 6-8 hours
Discharging time 30-36 hours
LED 160 lm/w
Material Aluminum + Iron
Install Height 2-4m
Dimensions 1050*690*300mm
Warranty 3 years



150W

Item No. 0830E150-02
LED Lamp Osram 3030 LED 150PCS 3000K-6000K
Solar Panel 36V 150W, Polycrystalline
Battery Type LiFePO4 25.6V 45AH
Charging time 6-8 hours
Discharging time 30-36 hours
LED 160 lm/w
Material Aluminum + Iron
Install Height 10-12m
Dimensions 1580*1005*740mm
Warranty 3 years



180W

Item No. 0830F180-02
LED Lamp Osram 3030 LED 150PCS 3000K-6000K
Solar Panel 36V 180W, Polycrystalline
Battery Type LiFePO4 25.6V 54AH
Charging time 6-8 hours
Discharging time 30-36 hours
LED 160 lm/w
Material Aluminum + Iron
Install Height 12-15m
Dimensions 1580*1150*740mm
Warranty 3 years



60W

Item No. 0830B60-02
LED Lamp Osram 3030 LED 50PCS 6000K-6500K
Solar Panel 18V 60W, Polycrystalline
Battery Type LiFePO4 12.8V 36AH
Charging time 6-8 hours
Discharging time 30-36 hours
LED 160 lm/w
Material Aluminum + Iron
Install Height 4-6m
Dimensions 1400*600*926mm
Warranty 3 years



90W

Item No. 0830C90-02
LED Lamp Osram 3030 LED 100PCS 6000K-6500K
Solar Panel 18V 90W, Polycrystalline
Battery Type LiFePO4 12.8V 45AH
Charging time 6-8 hours
Discharging time 30-36 hours
LED 160 lm/w
Material Aluminum + Iron
Install Height 6-8m
Dimensions 1320*920*670mm
Warranty 3 years



120W

Item No. 0830D120-02
LED Lamp Osram 3030 LED 100PCS 3000K-6000K
Solar Panel 18V 120W, Polycrystalline
Battery Type LiFePO4 12.8V 54AH
Charging time 6-8 hours
Discharging time 30-36 hours
LED 160 lm/w
Material Aluminum + Iron
Install Height 8-10m
Dimensions 1320*1185*670mm
Warranty 3 years





180W

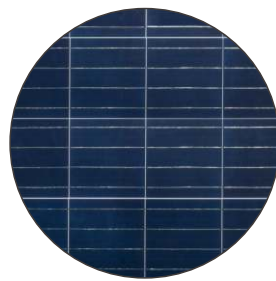
- Item No.** 0865A180-02
- LED Lamp** 5050 LED 112PCS 6000K-6500K
- Solar Panel** 18V 180W, Polycrystalline
- Battery Type** LiFePO4 12.8V 60AH
- Charging time** 6-8 hours
- Discharging time** 30-36 hours
- LED** 160 lm/w
- Material** Die-Casting Aluminium
- Install Height** 10-12m
- Dimensions** 711*269*111mm
- Warranty** 3 years



LED Highlighting

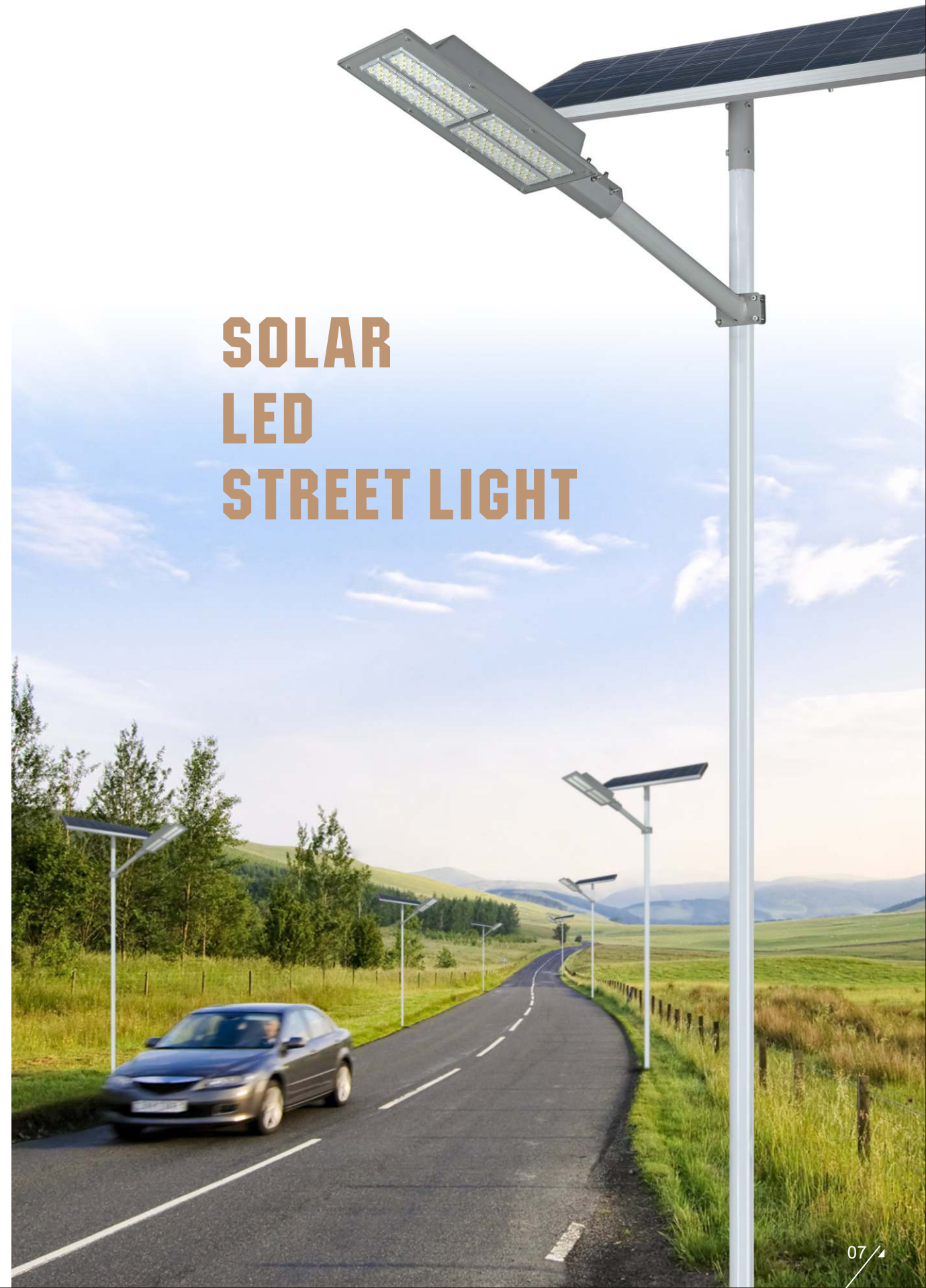


Die-Casting Aluminium



Solar Panel

SOLAR LED STREET LIGHT





80W

Item No.	0920A80-01
LED Lamp	3535 LED 84PCS 3000K-6000K
LED Lamp	1W LED 12PCS
Solar Panel	16V 75W, Mono-crystalline
Battery Type	Lithium-Ion 11.1V 50AH
Charging time	6-8 hours
Discharging time	30-36 hours
LED	160 lm/w
Material	Aluminum alloy
Install Height	8-10m
Dimensions	1222*451*126mm
Warranty	3 years



50W

Item No. 0837A50-01
LED Lamp 5730 LED 120PCS 6000K-6500K
Solar Panel 18V 15W Polycrystalline
Battery Type LiFePO4 12.8V 6AH
Charging time 6-8 Hours
Discharging time 8-12 Hours
LED 160 lm/w
IP Rating IP65
Material Die-casting Aluminium
Lamp Size 250*200*68mm
Warranty 3 Years



100W

Item No. 0837B100-01
LED Lamp 5730 LED 224PCS 6000K-6500K
Solar Panel 9V 25W Polycrystalline
Battery Type LiFePO4 6.4V 18AH
Charging time 6-8 Hours
Discharging time 8-12 Hours
LED 160 lm/w
IP Rating IP65
Material Die-casting Aluminium
Lamp Size 330*255*85mm
Warranty 3 Years



150W

Item No. 0837C150-01
LED Lamp 5730 LED 324PCS 6000K-6500K
Solar Panel 18V 30W Polycrystalline
Battery Type LiFePO4 12.8V 12AH
Charging time 6-8 Hours
Discharging time 8-12 Hours
LED 160 lm/w
IP Rating IP67
Material Die-casting Aluminium
Lamp Size 360*285*93mm
Warranty 3 Years



200W

Item No. 0837D200-01
LED Lamp 5730 LED 400PCS 6000K-6500K
Solar Panel 18V 50W Polycrystalline
Battery Type LiFePO4 12.8V 18AH
Charging time 6-8 Hours
Discharging time 8-12 Hours
LED 160 lm/w
IP Rating IP67
Material Die-casting Aluminium
Lamp Size 400*320*108mm
Warranty 3 Years



300W

Item No. 0837E300-01
LED Lamp 5730 LED 597PCS 6000K-6500K
Solar Panel 6V 65W Polycrystalline
Battery Type LiFePO4 3.2V 96AH
Charging time 6-8 Hours
Discharging time 8-12 Hours
LED 160 lm/w
IP Rating IP67
Material Die-casting Aluminium
Lamp Size 436*395*124mm
Warranty 3 Years

